

Certificate of Compliance

Certificate: 1140235

Master Contract: 207199

Project: 1476869

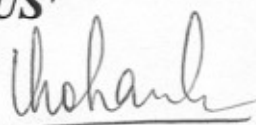
Date Issued: 2004/06/21

Issued to: Stellar Technology
237 Commerce Dr
Amherst, New York 14228
USA
Attention: Victor Sears


The products listed below are eligible to bear the CSA Mark shown with adjacent indicators 'C' and 'US'



Issued by:


Tho Nguyen

Authorized by:


Patricia Pasemko, Operations
Manager

PRODUCTS

CLASS 2258 04 - PROCESS CONTROL EQUIPMENT - Intrinsically Safe, Entity - For Hazardous Locations

CLASS 2258 84 - PROCESS CONTROL EQUIPMENT - Intrinsically Safe, Entity - - For Hazardous Locations - Certified to US Standards

Class I, Division 1 or 2, Groups A, B, C & D: Tamb = -50°C to +120°C; T3C:

- 4-20mA Pressure Transmitter, Model GT2250 Series. Intrinsically Safe / Non-Incendive per installation dwg 217872.

Entity Parameters: Vmax = 36V, Imax = 100mA, Ci = 24nF, Li = 2.7uH; Div 2: 36 Vdc, 100 mA. Temperature Code T3C.

Note: Equipment marked for Class I, Division 2 must be provided with suitable conduit/cable entries.

The 'C' and 'US' indicators adjacent to the CSA Mark signify that the product has been evaluated to the applicable CSA and ANSI/UL Standards, for use in Canada and the U.S., respectively. This 'US' indicator includes products eligible to bear the 'NRTL' indicator. NRTL, i.e. National Recognized Testing Laboratory, is a designation granted by the U.S. Occupational Safety and Health Administration (OSHA) to laboratories which have been recognized to perform certification to U.S. Standards.



Certificate: 1140235

Master Contract: 207199

Project: 1476869

Date Issued: 2004/06/21

APPLICABLE REQUIREMENTS

CSA Std C22.2 No. 142-M1987 - Process Control Equipment

CSA Std C22.2 No. 157-92 - Intrinsically Safe and Non-Incendive Equipment for Use in Hazardous Locations

CSA Std C22.2 No. 213-M1987 - Non-Incendive Electrical Equipment for Use in Class I, Division 2 Hazardous Locations

UL Std No. 916 - Energy Management Equipment

UL Std No. 913 - Intrinsically Safe Apparatus and Associated Apparatus for Use in Class I, II and III, Division 1, Hazardous Locations

UL Std No. 1604 - Electrical Equipment for Use in Class I and II, Division 2; Class III Hazardous (Classified) Locations



Supplement to Certificate of Compliance

Certificate: 1140235

Master Contract: 207199

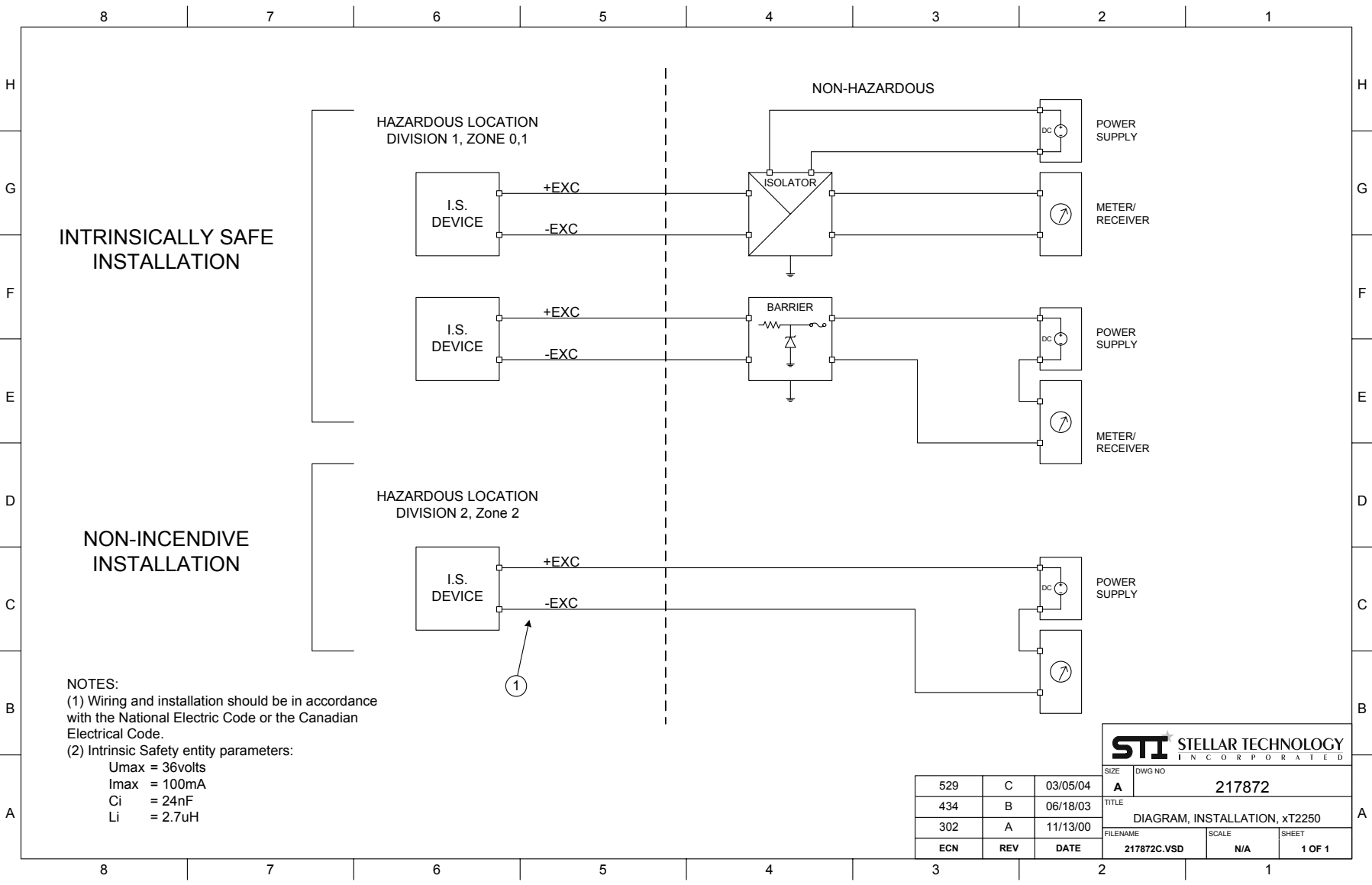
The products listed, including the latest revision described below, are eligible to be marked in accordance with the referenced Certificate.

Product Certification History

Project	Date	Description
1476869	2004/06/21	Update to 1140235 to include Class I, Div 2 and Tamb = 50 to 120C, ratings to the original I.S. Ratings to the GT2250 Series.

History

1140235 Jan. 9, 2001 Original Certification.



NOTES:
 (1) Wiring and installation should be in accordance with the National Electric Code or the Canadian Electrical Code.
 (2) Intrinsic Safety entity parameters:
 $U_{max} = 36\text{volts}$
 $I_{max} = 100\text{mA}$
 $C_i = 24\text{nF}$
 $L_i = 2.7\mu\text{H}$

ECN	REV	DATE
529	C	03/05/04
434	B	06/18/03
302	A	11/13/00

		SIZE	DWG NO
		A	217872
TITLE		SCALE	SHEET
DIAGRAM, INSTALLATION, XT2250		N/A	1 OF 1
FILENAME		217872C.VSD	